



Tender Ref No: JTC22T0034

13 June 2022

To: All Applicants

CORRIGENDUM NO. 1

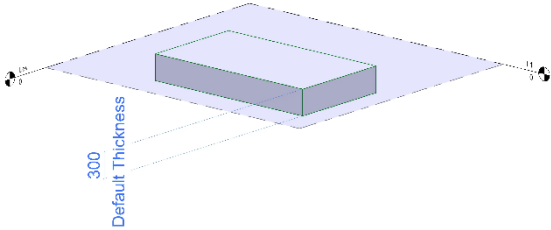
JTC INNOVATION CHALLENGE 2022

Challenge Statement 4: Automated Scan to BIM of existing buildings (Building and MEP Components)

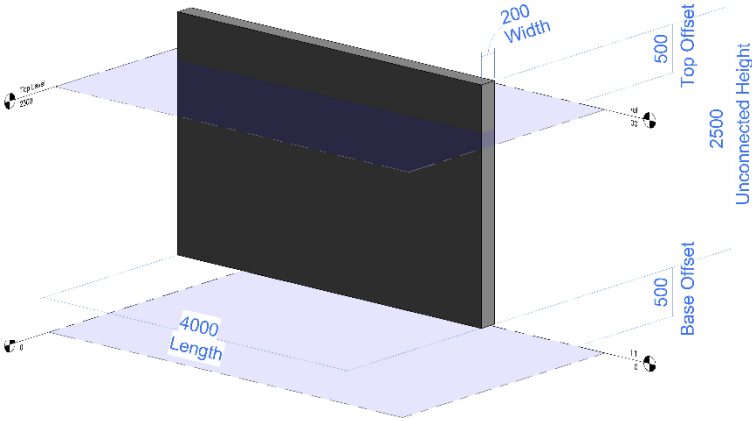
Please take note of the following clarifications to the above Innovation Challenge in response to queries raised by applicants, which shall form part of the original Innovation Challenge document issued.

S/N	Query	Response
General		
1	Does JTC accepts applications from overseas companies?	Overseas applicants are accepted (see Section 4 – Frequently Asked Questions, Question 4, “Information”). JTC Innovation Challenge 2022 is open to entities that meet the criteria stated in launch documents, please refer to Section 3, “Information”.

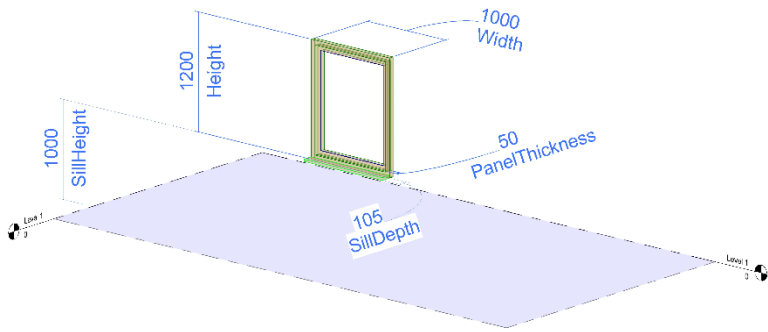
S/N	Query	Response
2	How can I upload the the power point proposal, the attach file application will only open on the submission date?	<p>After registering their accounts, interested applicants can submit their proposals at the respective challenge statements' site <i>before the Closing Date</i>.</p> <p>Access the site below to look at the respective challenge statement.</p> <p>https://jtc22.innovation-challenge.sg/statement-details.html</p> <p>Applicants are to use the provided proposal templates.</p>
3	What if the solutions proposed had been supported partly by Enterprise Singapore? Will application still be eligible if it is a further refinement/upgrade of the solution ?	As long as the scope of work for the proposal submitted to the JTC Innovation Challenge 2022 is different and has not been funded by or submitted to other agencies, it will be assessed and considered.
Challenge Statement: Automated Scan to BIM of existing buildings (Building and MEP Components)		
4	Will the testbed area be blocked out for scanning works or will it require coordination with Users and FM team onsite?	Coordination with Users and FM team on site is expected, so as to minimise impact to users. JTC officers would assist with the liaison.
5	Are there any concealed plenum spaces or open ceiling?	The Challenge's predominant focus is on open ceiling areas.
6	Able to share JTC Model Content Requirements documentation?	Yes. Refer to Annex A , Summary of JTC MCR geometrical requirement
7	What is the estimated scan area of property for the reality capture?	The scan area would be based on what is necessary to produce satisfactory solution
8	What is building type? Flatted factory?	The selection contains representative types of JTC buildings.
9	External works area required for LiDAR scanning and hence translation to BIM?	The Challenge's predominant focus is on interior works (including roof and carparks).



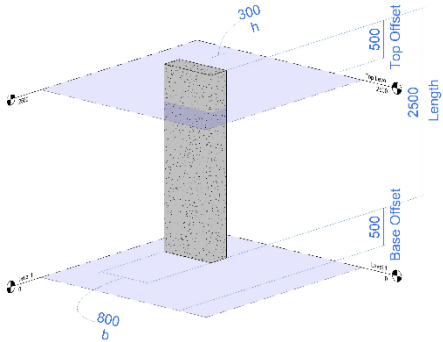
- Walls



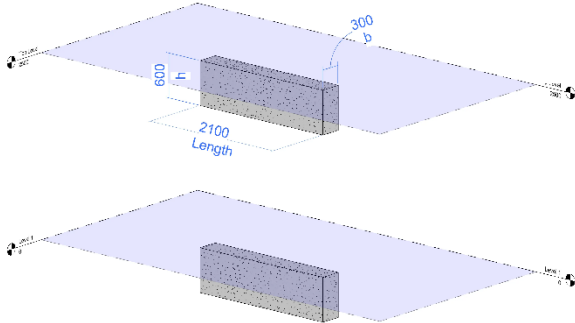
- Windows*



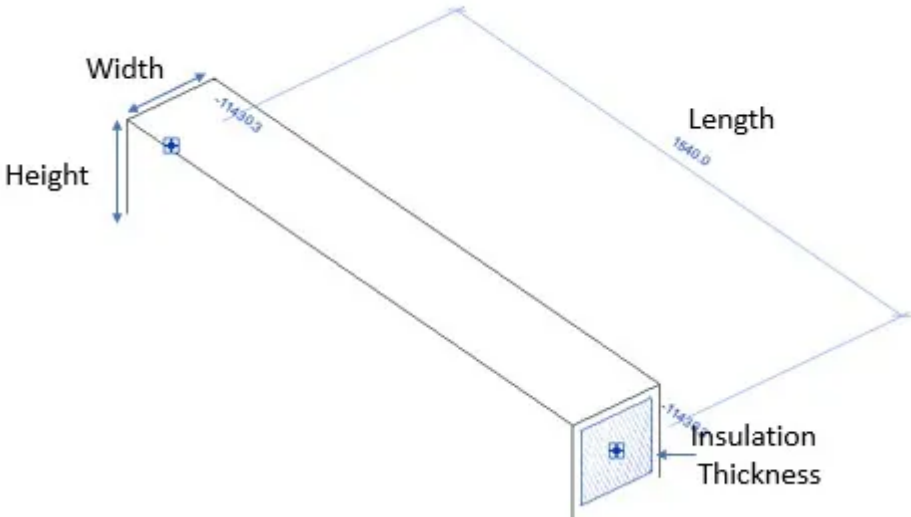
- Columns



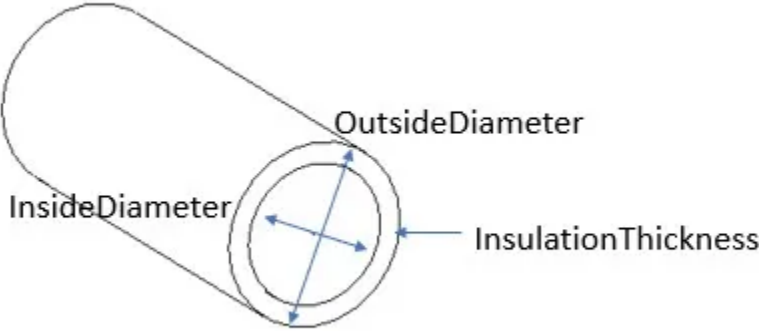
- Beams



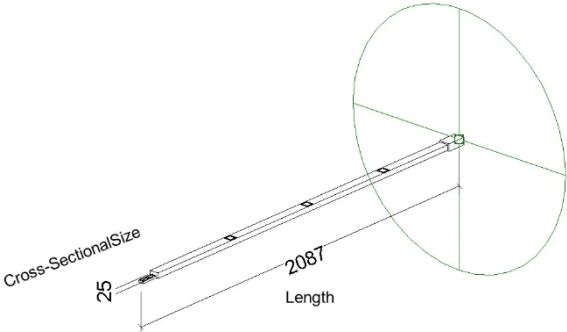
- Duct*



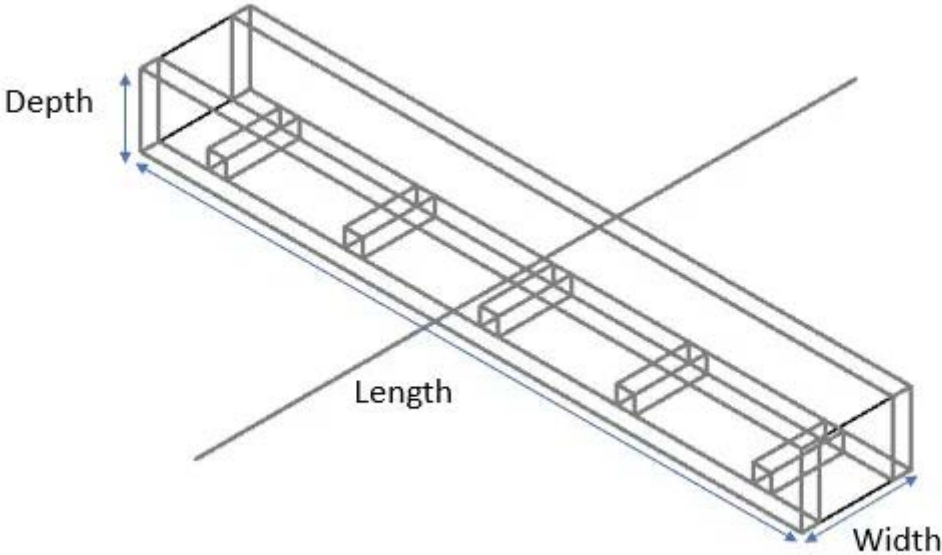
- Pipe*



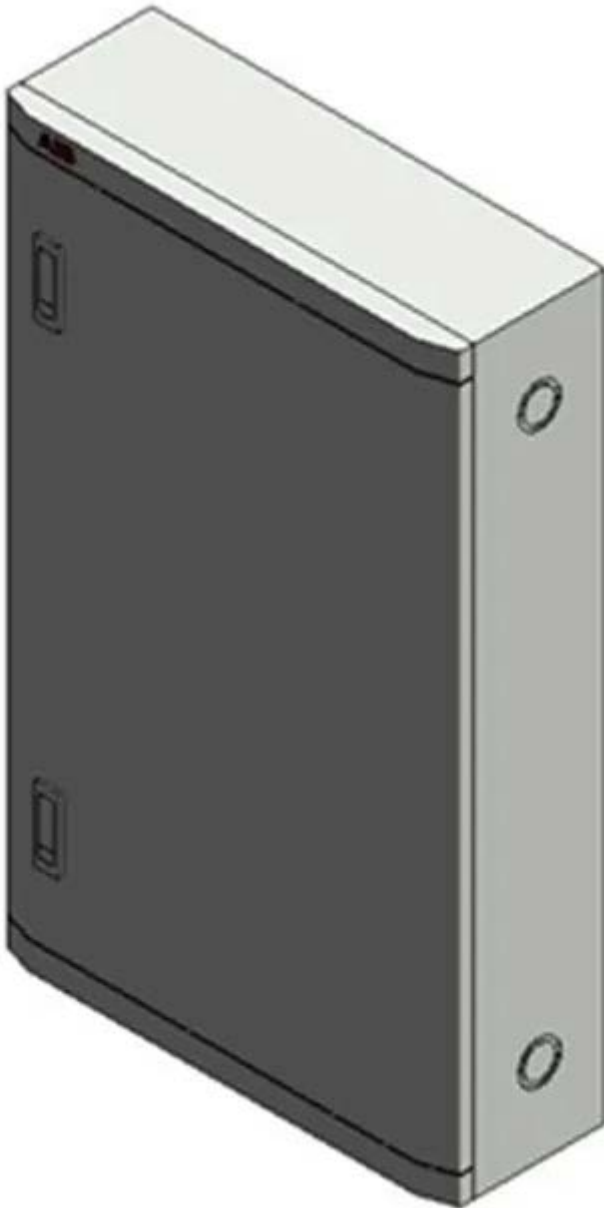
- Busbar Trunking System Including depth and width



- Cable Ladder



- Distribution Switchboard
Including OverallWidth, OverallHeight, OverallDepth



- Fire Alarm Fixtures and Devices
Modelled to be visually recognisable for the category. Essential dimensional measurements should be modelled accurately
- Fireman Intercom Fixtures and Devices
Modelled to be visually recognisable for the category. Essential dimensional measurements should be modelled accurately
- Breaching Inlet
Modelled to be visually recognisable for the category. Essential dimensional measurements should be modelled accurately
- Hose Reel
Modelled to be visually recognisable for the category. Essential dimensional measurements should be modelled accurately
- Fire Hydrant

Modelled to be visually recognisable for the category. Essential dimensional measurements should be modelled accurately

- Sprinkler

Modelled to be visually recognisable for the category. Essential dimensional measurements should be modelled accurately

- Lighting

Modelled to be visually recognisable for the category. Essential dimensional measurements should be modelled accurately